

TILE 6X6 4-PACK

RAZOR SYSTEM TYPICAL

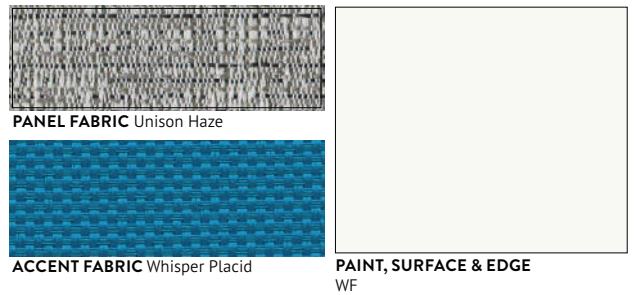


3D RENDERING

STATION SPECIFICATIONS

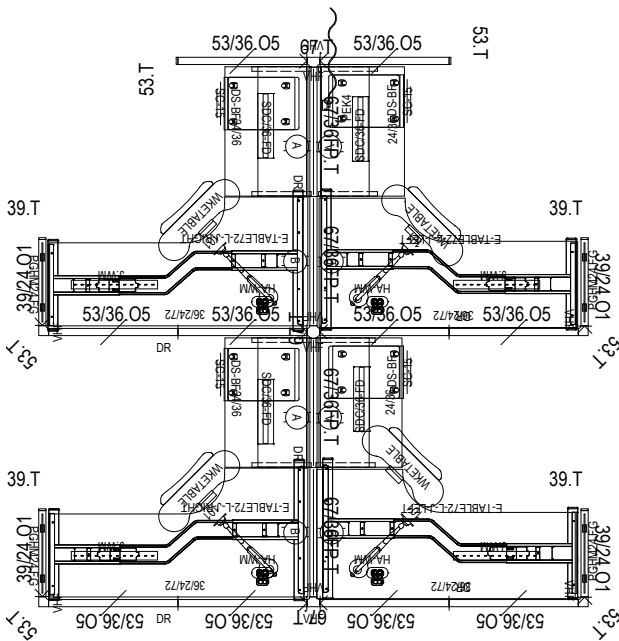
- Razor System
- 4-pack fabric & glass stackers
- 6' x 6'
- 39", 53" panel heights
- Extended L Sit-Stand Base
- Overhead sliding door cabinet
- BF-FP mobile storage pedestal
- Single monitor arm
- LED task lighting
- Glass panel mounted screen
- Keyboard set
- Base feed power
- 2 REC/Station
- Power down spine

FINISHES



PRICING

Talk to an OFW Sales Rep for Customization and Pricing.



2D PLAN LAYOUT

TILE 6X6 4-PACK

RAZOR SYSTEM TYPICAL

PRICING

Part Number	Part Description	Qty	List	Ext List
2WY53A2.T	53" 2 WAY CONNECTOR - THIN BASE	4	\$209.00	\$836.00
3WY67A2.T	67" 3 WAY CONNECTOR - THIN BASE	2	\$405.00	\$810.00
4WY67A2.T	67" 4 WAY CONNECTOR - THIN BASE	1	\$515.00	\$515.00
AHTECCWS362472L	36X24X72 Adj Left Surface	2	\$1,175.00	\$2,350.00
AHTECCWS362472R	36X24X72 Adj Right Surface	2	\$1,175.00	\$2,350.00
DS-BF-FP-M	Low Metal Mobile Box/File- Full Pull	4	\$1,215.00	\$4,860.00
DS-SC15	14.6"W Seat Cushion for Desking B/F Pedestal	4	\$185.00	\$740.00
E-TABLE48-72-J	Elec. Adj Table 72" - C Leg Base	4	\$1,995.00	\$7,980.00
EC39A2.T	39" END CAP W/ THIN BASE	4	\$90.00	\$360.00
EC53A2.T	53" END CAP W/ THIN BASE	2	\$94.00	\$188.00
F6736P.T	67 X 36 FABRIC PANEL - POWERED THIN BASE	4	\$1,435.00	\$5,740.00
OPS-101	SGL MONITOR ARM W SLIM CLAMP/GR MOUNT	4	\$775.00	\$3,100.00
PEK4 (L OR R)	4 CIR. BASE POWER ENTRY KIT	1	\$689.00	\$689.00
PGHM24.G	Panel Mount Tempered Glass Screen 14H x 22W	4	\$445.00	\$1,780.00
PTP48	48" PANEL TO PANEL CONNECTOR	4	\$41.00	\$164.00
PTP62	62" PANEL TO PANEL CONNECTOR	2	\$41.00	\$82.00
REC/A.T	A Circuit Duplex Receptacle - Thin Base	4	\$58.00	\$232.00
REC/B.T	B Circuit Duplex Receptacle - Thin Base	4	\$58.00	\$232.00
SDCAB36-FD	36"W x 14"D Metal Storage Cabinet w/Fabric Sliding Door	4	\$1,005.00	\$4,020.00
TLN-LED-S-1	LED Task Light w/ Motion Sensor and Power Supply	4	\$539.00	\$2,156.00
TS39241877.01.T	Non-Powered Tile Frame 3924.18PP.7F.7F - Thin Base	4	\$1,055.00	\$4,220.00
TS5336181414.05.T	Non-Powered Tile Frame 5336.18PP.14F.14G/OT - Thin Base	10	\$1,775.00	\$17,750.00
VHF	VARIABLE HEIGHT FILLER - PANEL TO CONNECTOR	10	\$41.00	\$410.00
WKETABLE	Keyboard set for Powered Adj. Hght Tables - For 30" tops only.	4	\$1,065.00	\$4,260.00
WM-E	Polypropylene Wire Management - 49.22 (For E-Table 48-72)	4	\$275.00	\$1,100.00
WS2436	24 X 36 WORK SURFACE	4	\$475.00	\$1,900.00

PRICING

Talk to an OFW Sales Rep for Customization and Pricing.