

# 30X60 67H 6-PACK

## RAZOR SYSTEM TYPICAL



OFFICE FURNITURE WAREHOUSE®

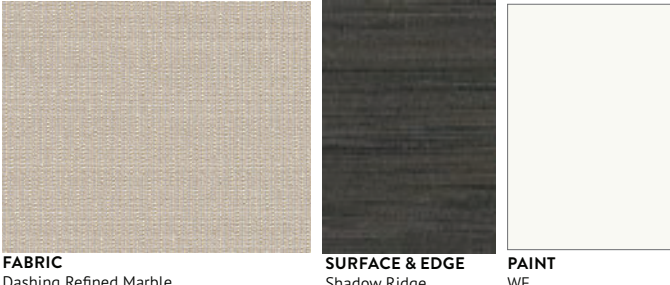
### STATION SPECIFICATIONS

- Razor System
- Monolithic panels
- 30" x 60" - 6-Pack
- 67" panel height
- Base feed power
- 4 power REC/station
- Power down the spine
- BBF-FP storage pedestal
- Overhead flipper door unit



### 3D RENDERING

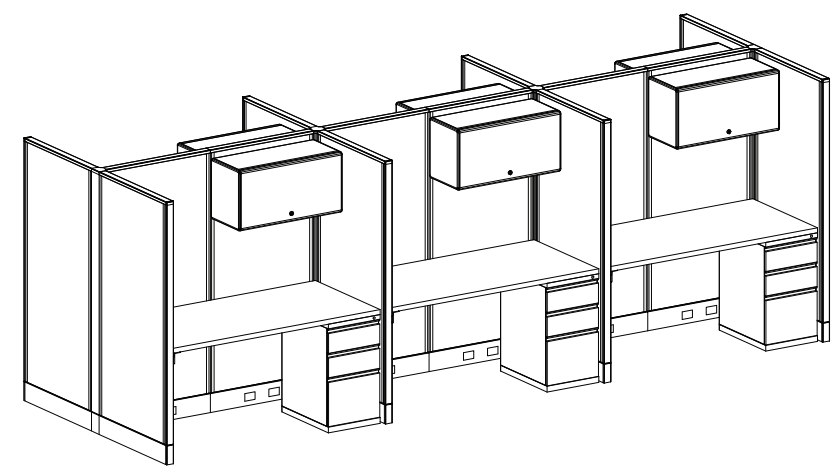
### FINISHES



FABRIC  
Dashing Refined Marble

SURFACE & EDGE  
Shadow Ridge

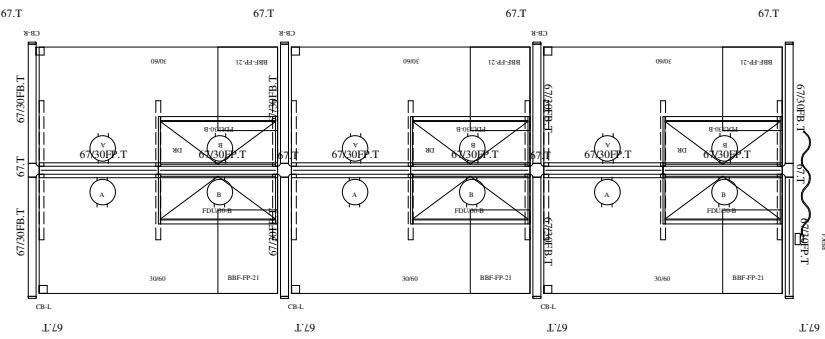
PAINT  
WF



### PRICING

Talk to an OFW Sales Rep for Customization and Pricing.

### 3D PLAN LAYOUT



### 2D PLAN LAYOUT

# 30X60 67H 6-PACK

## RAZOR SYSTEM TYPICAL



OFFICE FURNITURE WAREHOUSE®

### PRICING

Part Number	Part Description	Qty	List	Ext List
3WY67A2.T	67" 3 WAY CONNECTOR - THIN BASE	2	\$405.00	\$810.00
4WY67A2.T	67" 4 WAY CONNECTOR - THIN BASE	2	\$515.00	\$1,030.00
BBF-FP-21	BOX/BOX/FILE PEDESTAL FULL PULL 21"D W/OUT TOP	6	\$959.00	\$5,754.00
CRNRBR- LEFT	CORNER BRACKET (SPEC L OR R)	3	\$16.00	\$48.00
CRNRBR- RIGHT	CORNER BRACKET (SPEC L OR R)	3	\$16.00	\$48.00
EC67A2.T	67" END CAP W/ THIN BASE	8	\$99.00	\$792.00
F6730.T	67 X 30 FABRIC PANEL - THIN BASE	7	\$889.00	\$6,223.00
F6730P.T	67 X 30 FABRIC PANEL - POWERED THIN BASE	7	\$1,299.00	\$9,093.00
FDU3012B	30 X 12 FLIPPER DOOR UNIT- B STYLE	6	\$689.00	\$4,134.00
PEK4 (L OR R)	4 CIR. BASE POWER ENTRY KIT	1	\$689.00	\$689.00
PTP62	62" PANEL TO PANEL CONNECTOR	3	\$41.00	\$123.00
REC/A.T	A CIRCUIT DUPLEX RECEPTACLE - THIN BASE	6	\$58.00	\$348.00
REC/B.T	B CIRCUIT DUPLEX RECEPTACLE - THIN BASE	6	\$58.00	\$348.00
WS3060	30 X 60 WORK SURFACE	6	\$849.00	\$5,094.00

### PRICING

Talk to an OFW Sales Rep for Customization and Pricing.